



The Oyster Compact *VP series* valve is a fully sanitary butterfly valve for powders and granules, designed for applications with full vacuum. Unlike other sanitary valves it is fully vacuum compatible in both open or closed position

It fully conforms to cGMP design standards – the Clamshell™ clamp design ensures the valve is exceptionally quick and simple to strip down and reassemble, and no special tools are required, making it particularly suitable for clean room installations.

The valve is manufactured to full pharmaceutical specification. All product contact parts are machined from AISI316L with mirror polish finish.

#### FIELD OF APPLICATION

Powder shut off - Vacuum

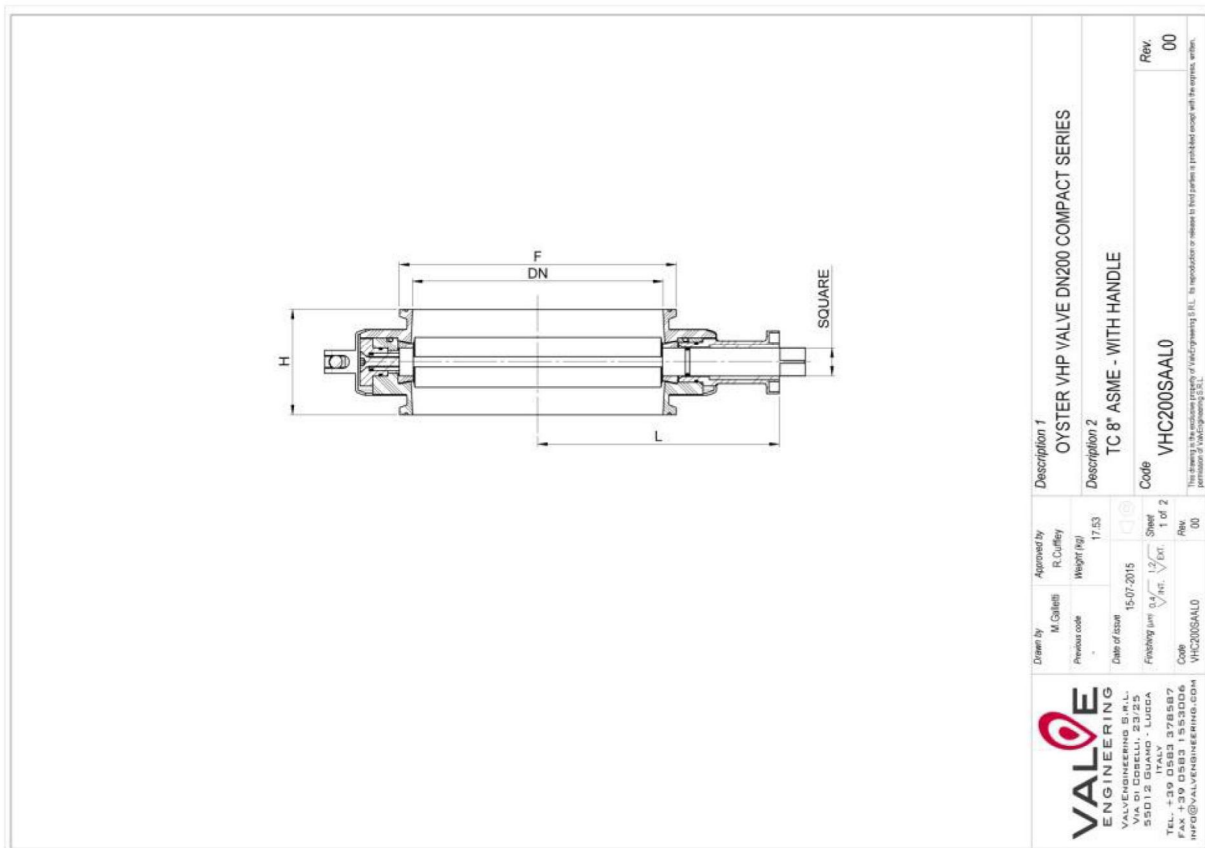


#### KEY FEATURES

- **Full Vacuum** performance
- **Toolfree handling** and strip down for maintenance and cleaning thanks to unique **CLAMSHELL™** clamp design
- Excellent **price/performance/quality** ratio
- **Few components, simple** and **robust design** for **low maintenance costs** and **long product lifetime**

#### TECHNICAL FEATURES

- Suitable for **WIP**.
- Finish: Internal Ra<0.4 / External Ra<1.2



### Key Dimensions:

(Dimensions in mm)

Nominal size DN	150	200	250	300
F*	6"	8"	10"	12"
L	165	190	215	240
H	76	84	84	84
Drive Square	17x17	17x17	17x17	17x17
Weight - Kg (Lb)	8.4 (18.5)	17.5 (38.5)	21.5 (47.3)	25.7 (56.6)

\* TC specification is ASME/BPE unless otherwise specified. A full range of tri-clover types can be supplied.



**Table of materials:**

Ref	Part Name	Material options
1	Gasket*	Silicone
2	Leaf	AISI 316L (EN 1.4404), C-22
3	Lower H.body	AISI 316L (EN 1.4404), C-22
4	Upper H.body	AISI 304 (EN 1.4301)
5	Lever/Actuator Support	AISI 304 (EN 1.4301)
6	Handlever	AISI 304 (EN 1.4301)
7	Shaft	AISI 316L (EN 1.4404), C-22
8	Rear cover	AISI 304 (EN 1.4301)
9	Clamshell clamp	AISI 304 (EN 1.4301)
10, 11	Bushings	PEEK
12	Bolt	AISI 304 (EN 1.4301)
13-17	O-rings	Silicone, FFKM

### Options for operation:

Manual operation		Automatic operation	
<b>Standard:</b>	Handlever with locking pin	<b>Actuator types:</b>	Double acting Rack & pinion pneumatic
<b>Orientation:</b>	0-90°		Spring return Rack & pinion pneumatic
	45-45°		Electric actuator
<b>Optional Accessories:</b>	Full stainless steel	<b>Materials:</b>	Anodised aluminium, St/St
	Customised orientation	<b>Options:</b>	Solenoid valve
	Lockable		Position sensors, Limit switches
	Position sensor		4-20 mA positioner for proportional control
	Push & turn lever		Full st/st enclosure
	Multi-position stops		Quick release Actuator support
			<b>ATEX:</b>
	<b>Air supply:</b>	min 5bar (75 psi)/max 10bar (150psi) Dry, non-lubricated	

### Installation Zone:

Working pressure - Barg	
Max P In/out Leaf closed	0.5 bar (7.3 psi)
Min P In/out Leaf closed	-1.0 bar
Min P In/out Leaf open	-1.0 bar
Max P upstr./downstr. Leaf closed	0.5 bar (7.3 psi)
Min P upstr./downstr. Leaf closed	-1.0 bar
Temperature	
Manual	-0°/+90°C (32°/194°F)
Actuated	-0°/+80°C (32°/176°F)